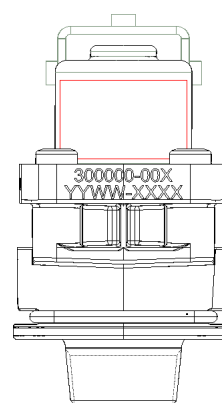
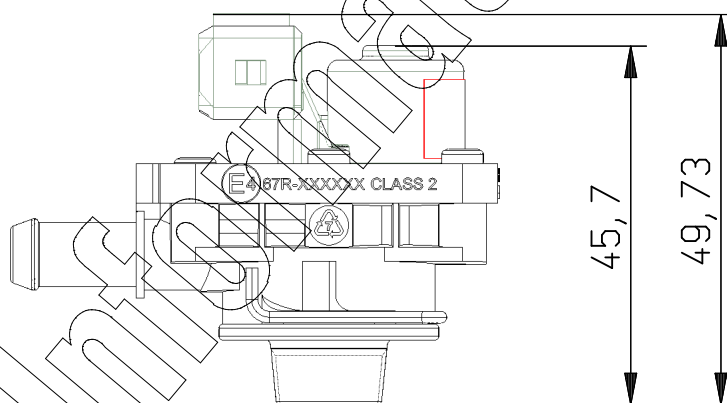
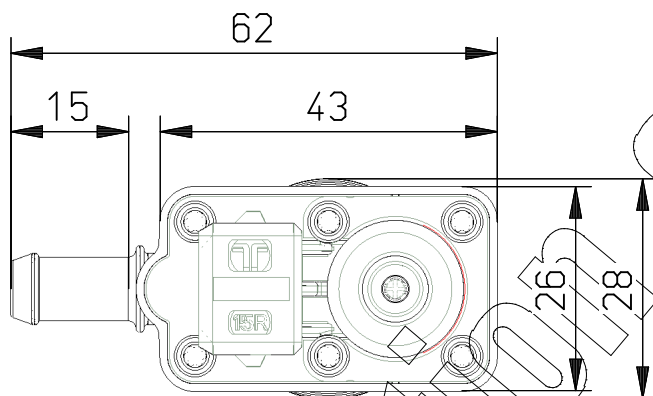
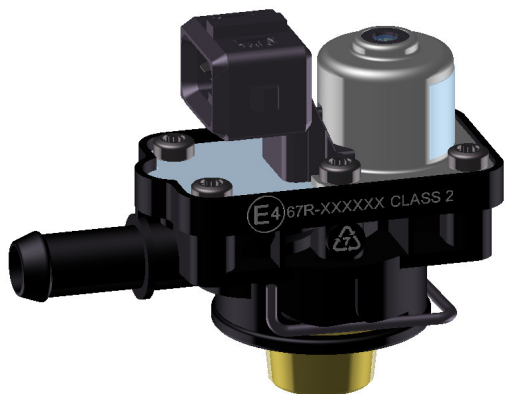


Tolerance of broken edges	c	v
NEN-ISO 2768-1	f/m	f/m
0.5 t/m	3	±3°
> 3 t/m	6	±2°
> 6 t/m	120	±1°
>30 t/m	120	±0°30'
NEN-ISO 2768-1	f/m	f/m
0 t/m	10	±1°
> 10 t/m	50	±0°30'
> 50 t/m	120	±0°20'
>120 t/m	400	±0°10'
NEN-ISO 2768-1	f	m
400	±0.5	±1.2
1000	±0.8	±2.0
2000	±1.2	±3.0
4000	±2.0	±4.0
NEN-ISO 2768-1	f	m
> 120 t/m	400	±0.2
> 400 t/m	1000	±0.3
> 1000 t/m	2000	±0.5
>2000 t/m	4000	±0.8
NEN-ISO 2768-1	f	m
3	±0.05	±0.1
6	±0.05	±0.1
30	±0.10	±0.2
120	±0.15	±0.3
>30 t/m	±0.15	±0.3
>120 t/m	±0.3	±1.0
>300 t/m	±0.5	±1.5



Remarks:

- In case of indistinctness or mistakes on the drawing and/or 3D models TeleflexGFI Europe has to be consulted before starting production
- Supplier holds responsibility for compliance of all (sub)assemblies and parts with their latest drawing issues
- TeleflexGFI Europe holds no responsibility of the costs for any kind of misinterpretation of the drawing

Property of TeleflexGFI Europe. This drawing may not be reproduced or disclosed to third parties without prior written consent of TeleflexGFI Europe. All rights reserved.
C:\N0012154.SZA

Item	Qty.	Description	Material and/or specification	Weight	Drawing or Part no.
Projection acc. to NEN 2351:1983		Roughness acc. to ISO 1302:2002	Edges acc. to NEN-ISO 13715:1994		
Tolerances for linear and angular dim. dimensions acc. to NEN-ISO 2768-1:1990		Tolerances for features acc. to NEN-ISO 2768-2:1990		Scale: 1:1	Weight: kg
Drawn:	E.v.A.	Date:	17.09.2007	Dimension unit: mm	
Checked:		Date:		Drawing no.	
Tech. design:		Date:		No. Changed	Date Name
GFI injector assy			GFI injector assy 2		Size A4